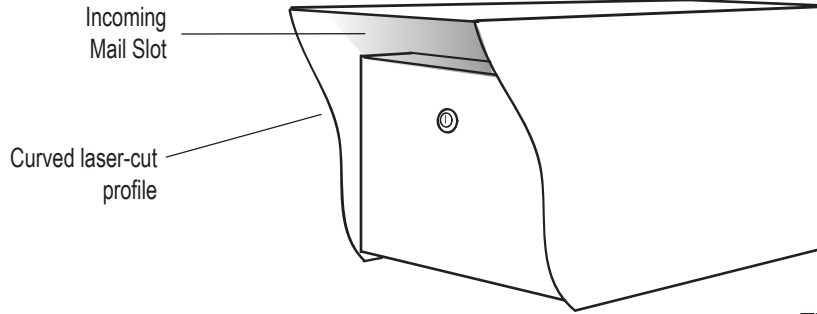


# Cascade Locking Mailbox



This mailbox is set up for incoming mail only.  
No flag is required.

## CASCADE LOCKING MAILBOX PART OF THE NORTHWEST SERIES

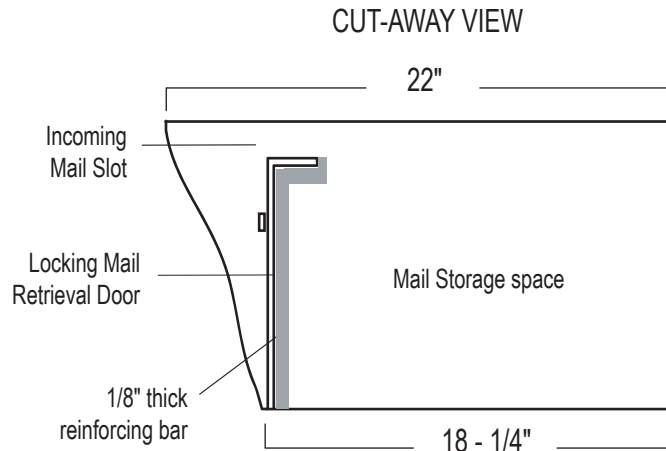
The Cascade locking mailbox features a large incoming mail slot to accommodate multiple magazines, Priority mail envelopes, a single box of checks and more. Locking mail door hooks around a large 1/8" thick reinforcing bar inside the mailbox, helping to prevent vandals from prying box open. The mailbox features an extremely durable, drill-proof lock.

### MEETS ALL CURRENT U.S.P.S. REQUIREMENTS

### DOES NOT REQUIRE U.S.P.S. MASTER LOCK

- Overall size: 12" H x 11" W x 22" D
- Incoming mail slot size: 1 - 3/4" H x 10 - 3/4" W
- Material: Rust-proof rolled aluminum, 11 gauge
- Finish: Durable powder coat
- Colors: Black, White, Stone Grey, Mallard Green, Juniper Green or Pearl Taupe

Posts are sold separately. Standard, in-ground, surface-mount and decorative posts available. Matching newspaper boxes are also available for an integrated and uniform installation with the Cascade mailbox.



Manufactured By:



19350 SW 118th  
Tualatin, OR 97062  
800.630.3344 fx 503.682.1520  
[www.mbx.com](http://www.mbx.com)  
CC# 134768

JS-lp-mac 09/08