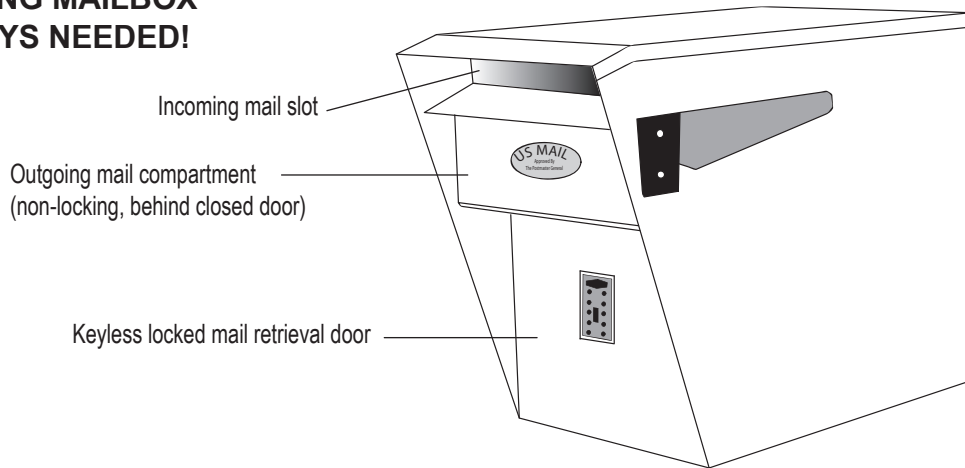


# Keyless Columbia Locking Mailbox

## LOCKING MAILBOX NO KEYS NEEDED!



## THE KEYLESS COLUMBIA MAILBOX PART OF THE NORTHWEST SERIES

No keys needed! This mailbox features a heavy-duty Supra<sup>®</sup> lock with numbered buttons. Program the lock with your own code. Excellent for both residential and commercial applications. Oversize incoming mail slot will accept a box of checks, large envelopes and more. The Columbia also has a convenient non-locking outgoing mail shelf.

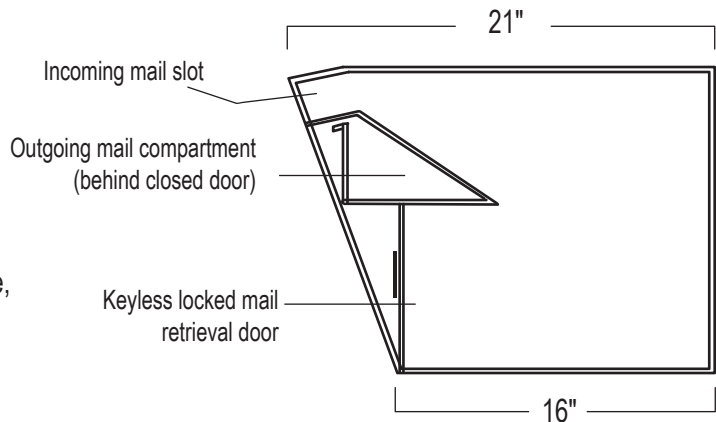
## MEETS ALL CURRENT U.S.P.S. REQUIREMENTS

## DOES NOT REQUIRE U.S.P.S. MASTER LOCK

- Overall size: 15" H x 10 - 5/8" W (with flag) x 21" D
- Incoming mail slot size: 2 - 1/8" H x 10 - 1/8" W
- Material: Galvanized steel: Top & sides = 18 gauge, Bottom pan = 16 gauge, Door = 12 gauge
- Finish: Durable powder coat
- Colors: Black or Stone Grey

Posts are sold separately. Standard, in-ground, surface-mount and decorative posts available. Matching newspaper boxes are also available for an integrated and uniform installation with the Columbia mailbox.

## CUT-AWAY VIEW



Manufactured By:



19350 SW 118th  
Tualatin, OR 97062  
800.630.3344 fx 503.682.1520  
[www.mbx.com](http://www.mbx.com)  
CCB# 134768

CCB# 134768

JS-lp-mac 09/08